

Fig No. N600 **Reduced Bore**
1/4" ~ 2" DN8 ~ 50



Features :

One Piece body design, Economy type
 Investment cast Component, Blow-out-proof Stem
 For Industrial, chemical application
 Carbon Steel & Super Alloy upon request

Standard Compliance :

Body wall thickness : EN 12516-1/3
 Threaded end : BS 21 (BSP)
 BSPT
 ISO 228-1
 DIN 2999
 ISO7-1Rp

Face to Face : Mfg. Standard
 Body Material : SS316/CF8M
 Pressure Testing : EN12266

Specification

End Connection : Threaded end
 Working Pressure : 40 Bar (CWP)
 Temperature : -20 ~ 180 °C

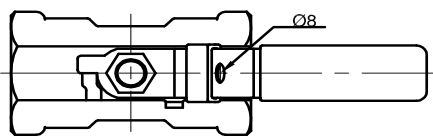
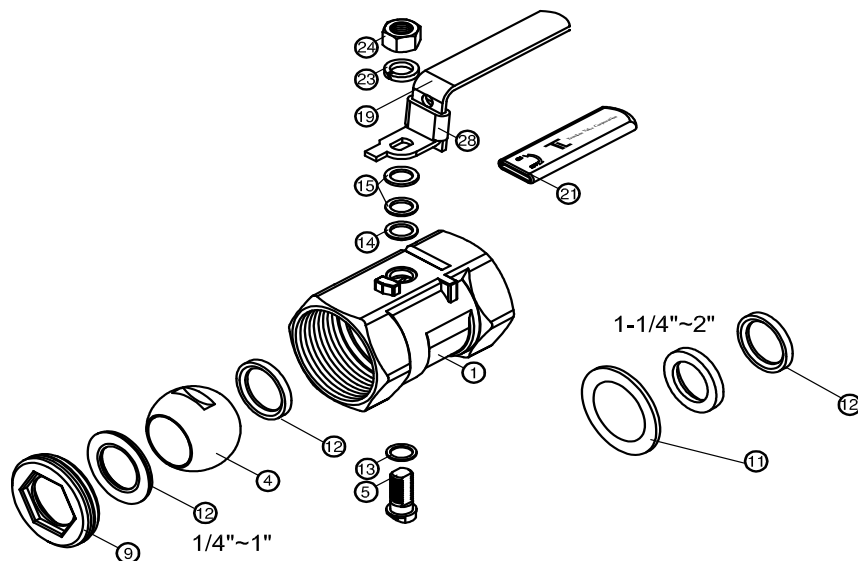
Option :

1. Locking Device

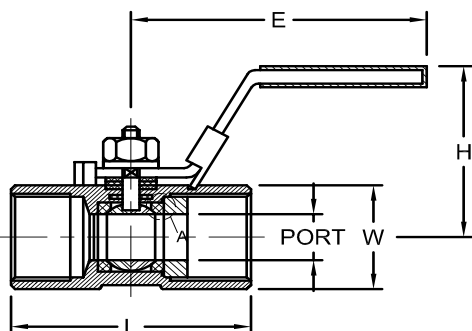
MATERIALS LIST

NO.	PART NAME	MATERIAL
1	BODY	SS316/CF8M
4	BALL	SS316/CF8M
5	STEM	SS316
9	INSERT	SS316/CF8M
11	BODY SEAL	PTFE.
12	SEAT	PTFE.
13	THRUST WASHER	PTFE.
14	STEM PACKING	PTFE.
15	GLAND	SS304
19	HANDLE	SS304
21	HANDLE COVER	PLASTIC
23	HANDLE WASHER	SS304
24	HANDLE NUT	SS304
28	LOCKING DEVICE	SS304(OPTION)

BALL - SS 316 1/4"-1/2" CF8M 3/4"-2"



1/4"~1"
A-VIEW



1-1/4"~2"
A-VIEW

DIMENSIONS unit:mm

SIZE	PORT	L	E	H	W
DN8	1/4"	5.0	39.0	69.0	17.0
DN10	3/8"	7.2	44.0	79.0	21.0
DN15	1/2"	9.2	56.5	109.0	25.0
DN20	3/4"	12.5	59.0	109.0	32.0
DN25	1"	15.0	71.0	111.7	38.0
DN32	1-1/4"	20.0	78.0	111.7	48.0
DN40	1-1/2"	25.0	83.0	157.0	53.0
DN50	2"	32.0	100.0	155.5	64.0